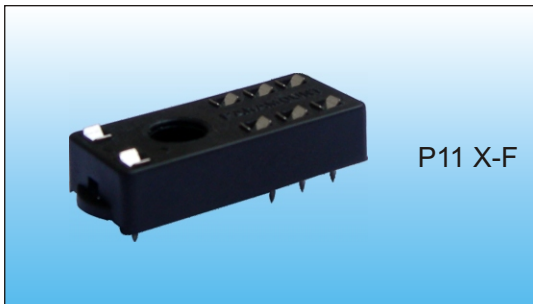
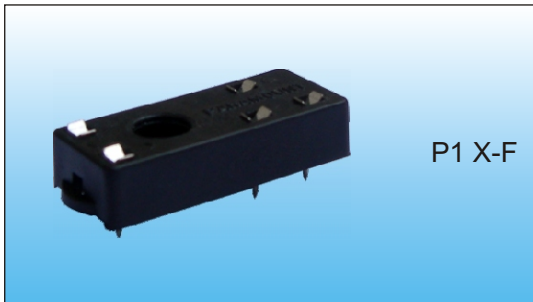


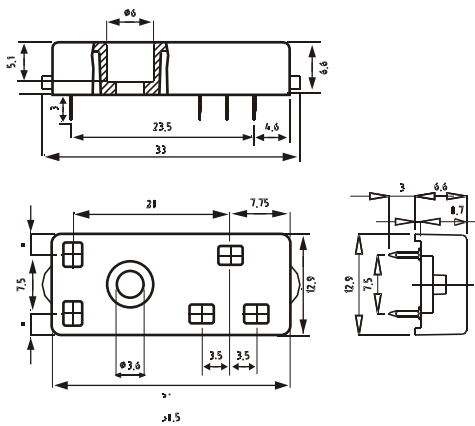
PCB Sockets & Accessories



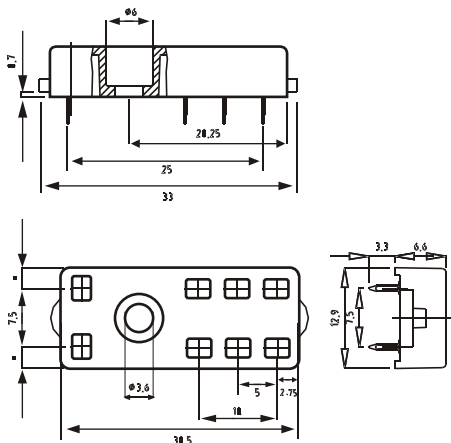
Product name	No. of pins
P1 X-F	5
P11 X-F	8

General data	
Nominal current	P1X-F : 12 Amps P11X-F : 8 Amps
Nominal voltage	250V
Di-electric strength	2000 Veff / 60 Sec
Air distance	P1X-F : ≥ 3.5 mm P11X-F : ≥ 2.0 mm
Creep distance	P1X-F : ≥ 3.5 mm P11X-F : ≥ 3.0 mm
Weight	P1X-F : approx. 2g P11X-F : approx. 2.5g
Ambient temperature	- 40 degree to +70 degree C
Mounting position	Any
Mounting	Solder Pin

Dimension Drawings (mm)



P1X-F



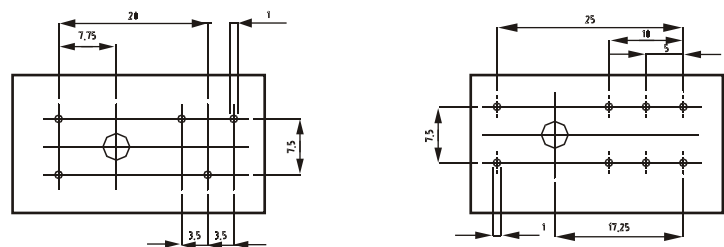
P11X-F

Accessories

1040	Retaining Clip
------	----------------

Drilling Patterns (mm)

View from solder side



PARAMOUNT

For further details, contact:

Paramount Industries

#70, 5th Cross, SSI Area, Rajajinagar, Bangalore - 560 010
Tel: 00-91-80-3350828, 3357313, 2970010, Fax: 00-91-80-3302574, E-mail: paraind@vsnl.com